

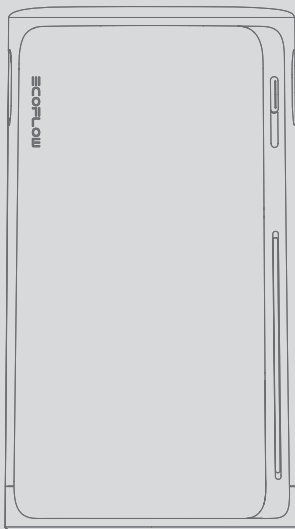
Installation Guide

Installationsanleitung

Guide d'installation

V1.0

EcoFlow STREAM Ultra
EcoFlow STREAM Pro



For more details, check the latest user manual or related documents at:

Weitere Einzelheiten finden Sie in den aktuellen Benutzerhandbüchern oder den entsprechenden Dokumenten unter:

Pour plus de détails, consultez le dernier manuel d'utilisation ou les documents connexes à l'adresse :

🔍 <https://www.ecoflow.com/support/download>

IMPORTANT / WICHTIG / IMPORTANT

- Read all product documentation before use.
- Images are for demonstration only.
- Lesen Sie vor der Verwendung die gesamte Produktdokumentation.
- Die Bilder dienen nur zur Demonstration.
- Lisez toute la documentation du produit avant utilisation.
- Les images sont à titre d'illustration uniquement.

CONTENTS

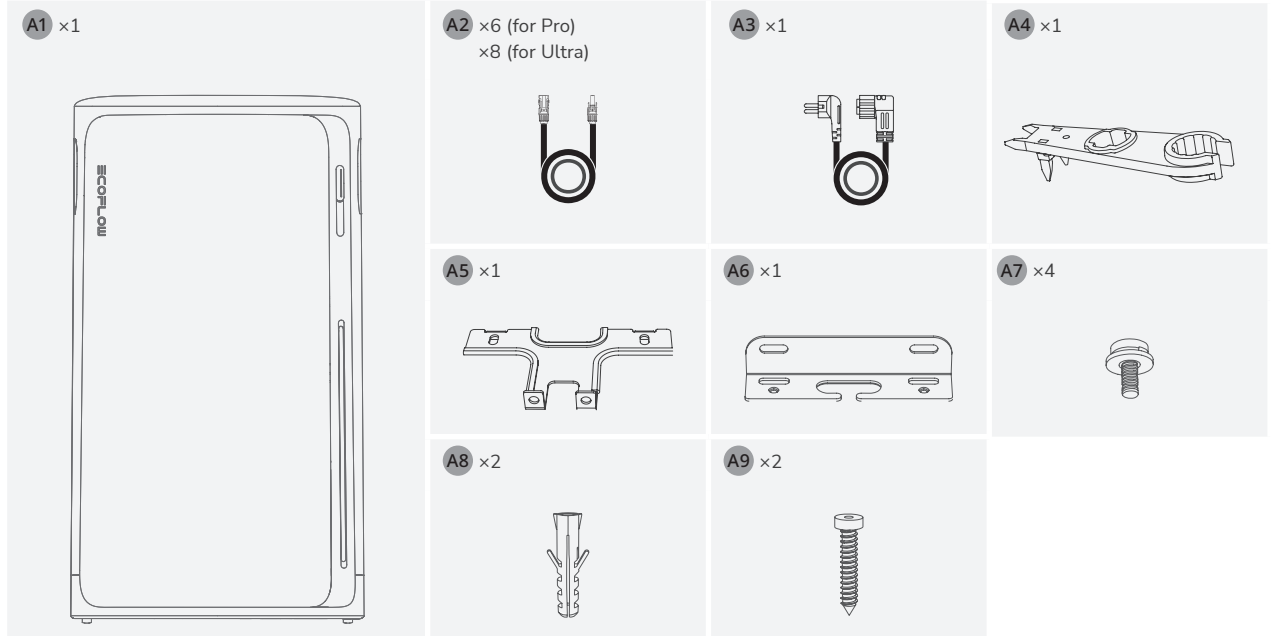
1	Pre-Installation
1	Check the Package Contents
2	Product Overview
4	Installation Preparation
5	During Installation
5	Step 1: Mount & Lock (Optional)
7	Step 2: Connect to Grid Power
8	Step 3: Connect to Solar Panels
8	Step 4: Connect to Load / Microinverter (Optional)
9	Step 5: Reinstall the Protective Cover
9	Post-Installation
9	Power On
9	Download EcoFlow App
9	Bind the Device and Set Up Internet
9	Explore More

I Check the Package Contents

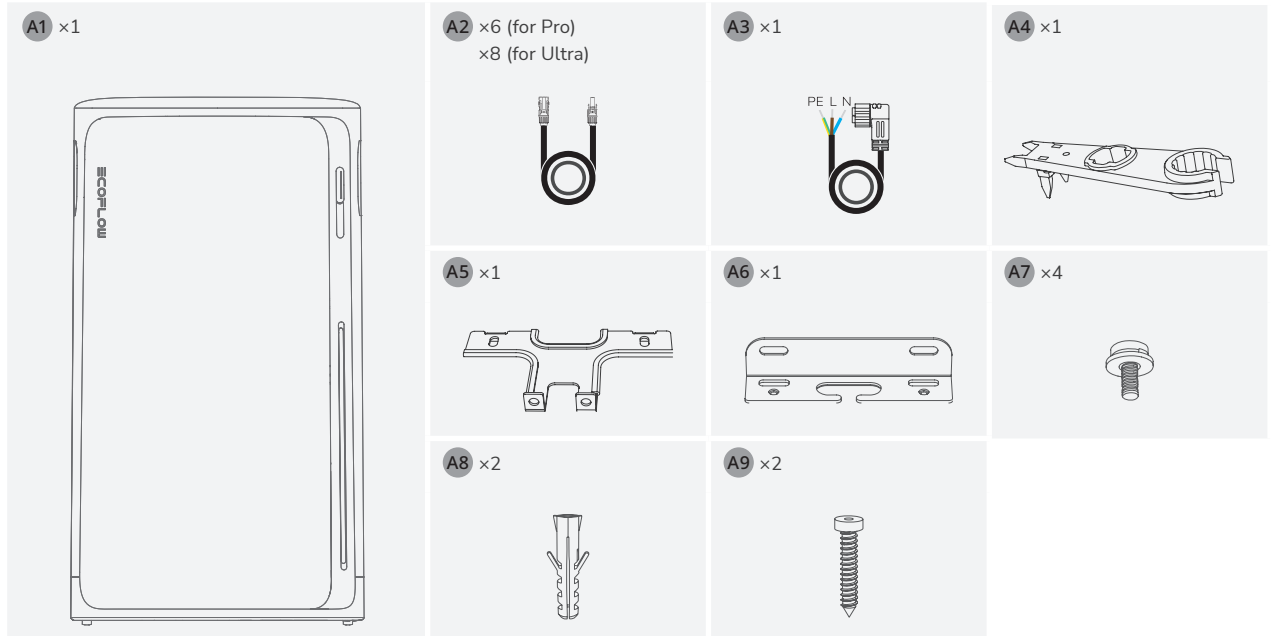


- The AC outlet on the product and the AC power cable shown in this guide are for illustration purposes. The actual appearance may vary by sales region and product version.
- If any item is damaged or missing, contact EcoFlow Customer Service for assistance.

• Standard Product Package for European Region



• Standard Product Package for the United Kingdom Region

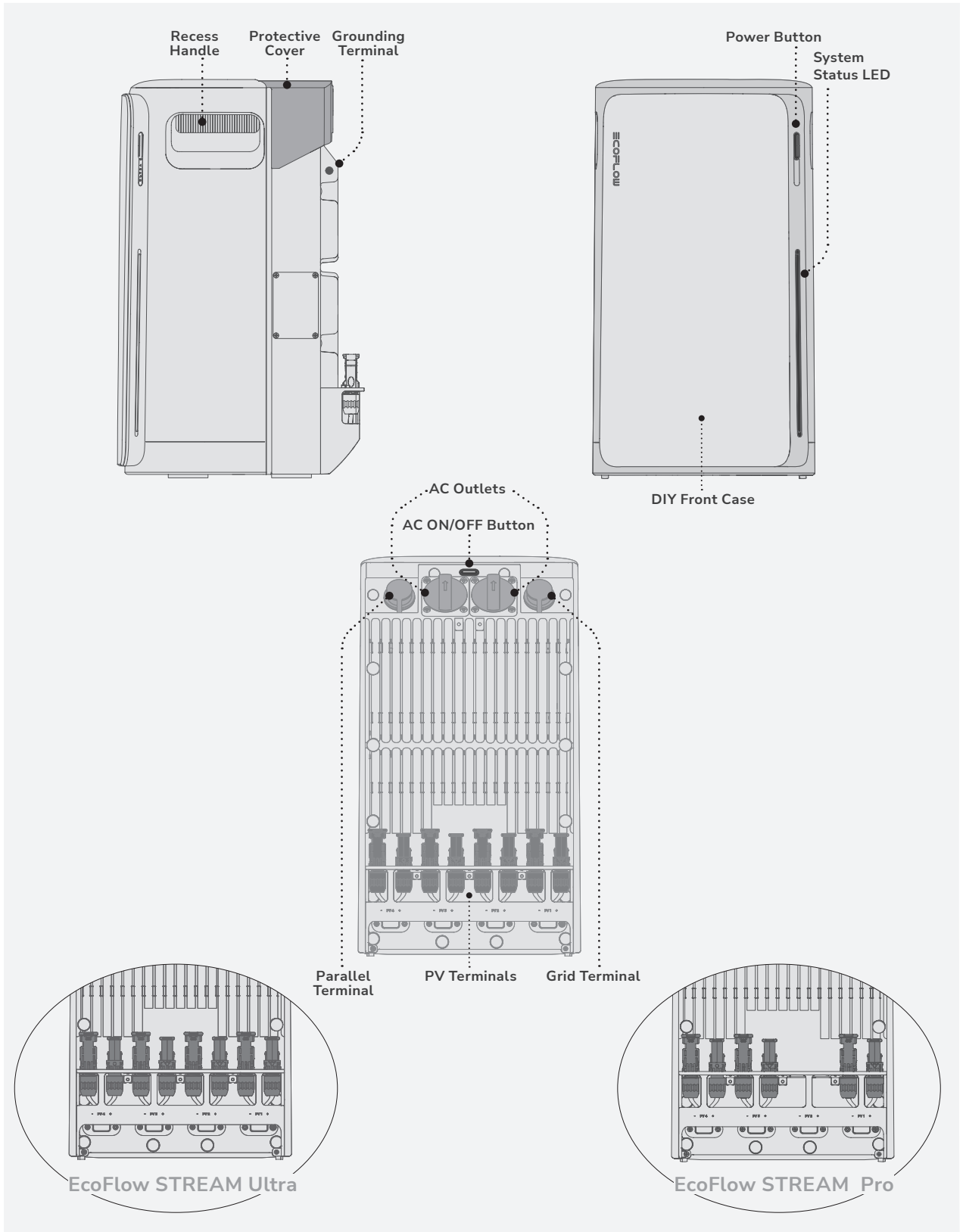


I Product Overview

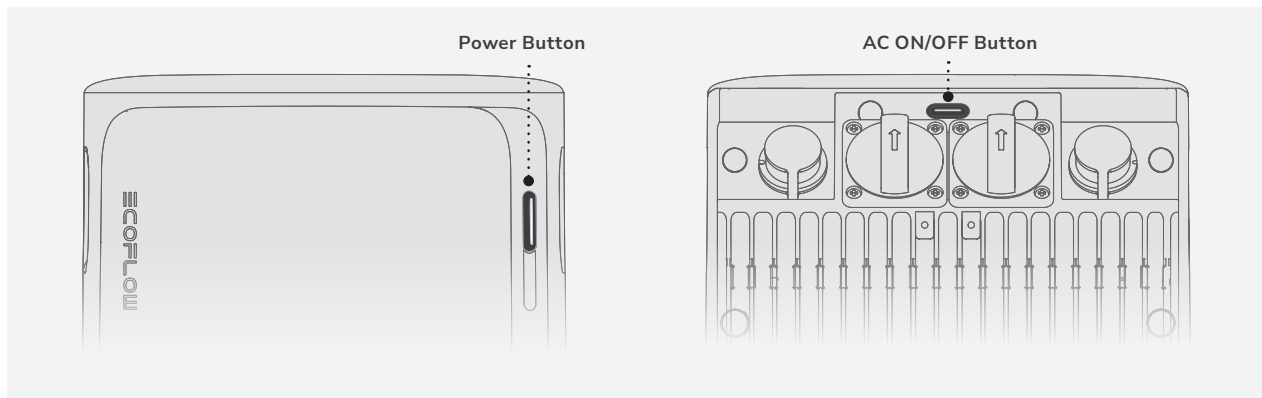
• Appearance








- The actual appearance of the AC outlet and the AC power cable may vary by sales region and product version.
- The number of PV terminals varies depending on the product version. EcoFlow STREAM Ultra will be used for the demonstration.



• Button



Operation	Description
ON  2s	Press and hold the button for 2 seconds to turn on the device.
OFF  2s	Press and hold the button for 2 seconds to turn off the device. If solar or grid power is present, disconnect the cables before powering off.
RESET IOT  x5	Press the button 5 times in quick succession to reset Bluetooth and Wi-Fi connections.





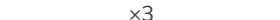

Operation	Description
AC ON  x1	Press once to enable or disable the AC outlets.
AC OFF  x1	

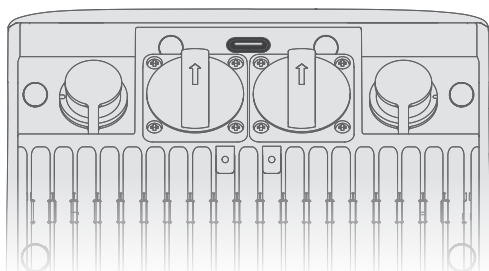
• LED




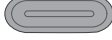
- System Status LED



Pattern	Description
	Indicates the device is powered off.
	Indicates the current battery level.
	Indicates the device is being charged.
 x3	Indicates the device is faulty. Check the EcoFlow app for further instructions.
 x3	Indicates a setting has been applied, such as a system reset or internet setup completion.
	Indicates the device is upgrading firmware.



- AC Outlet Status LED

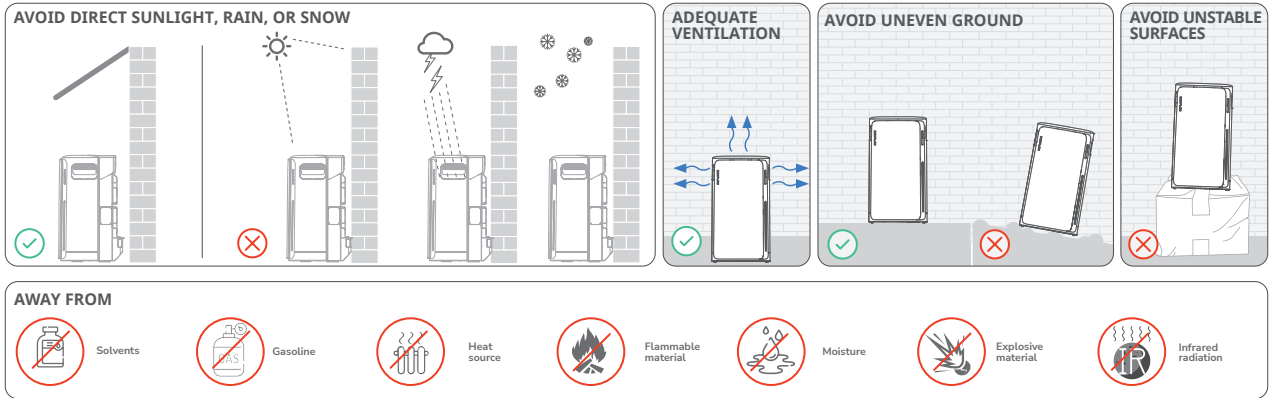
Pattern	Description
	At least 1 AC outlet is enabled.
	AC outlets are disabled.

I Installation Preparation

• Tools



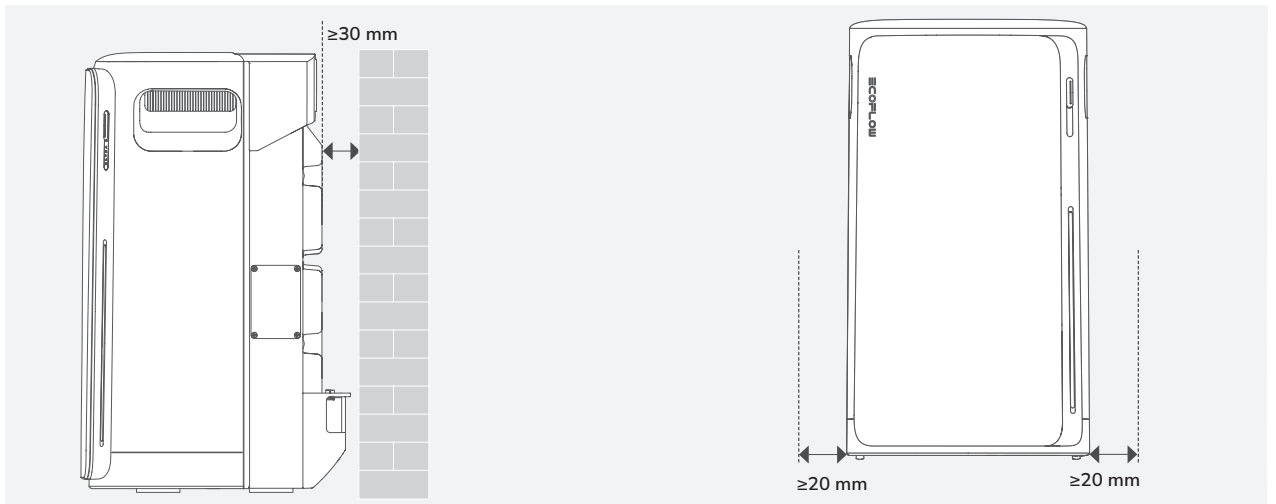
• Environment



• Clearance

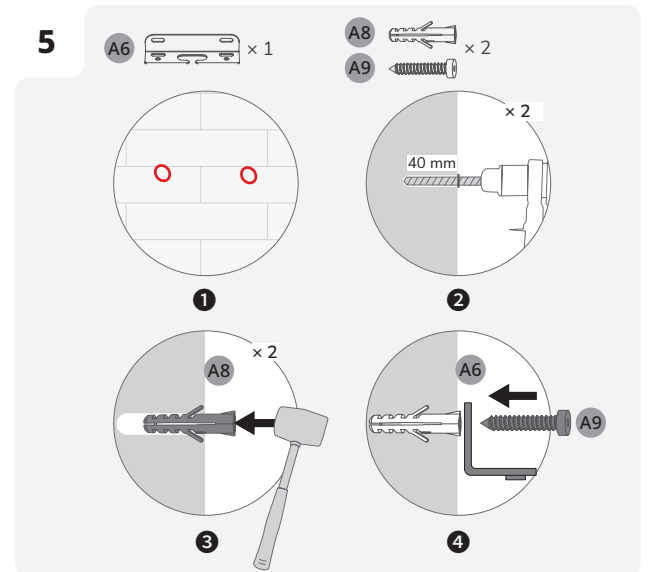
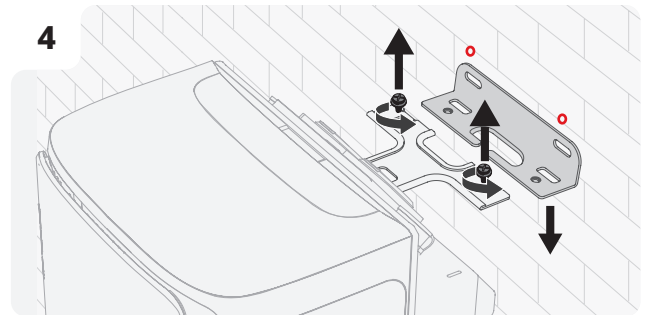
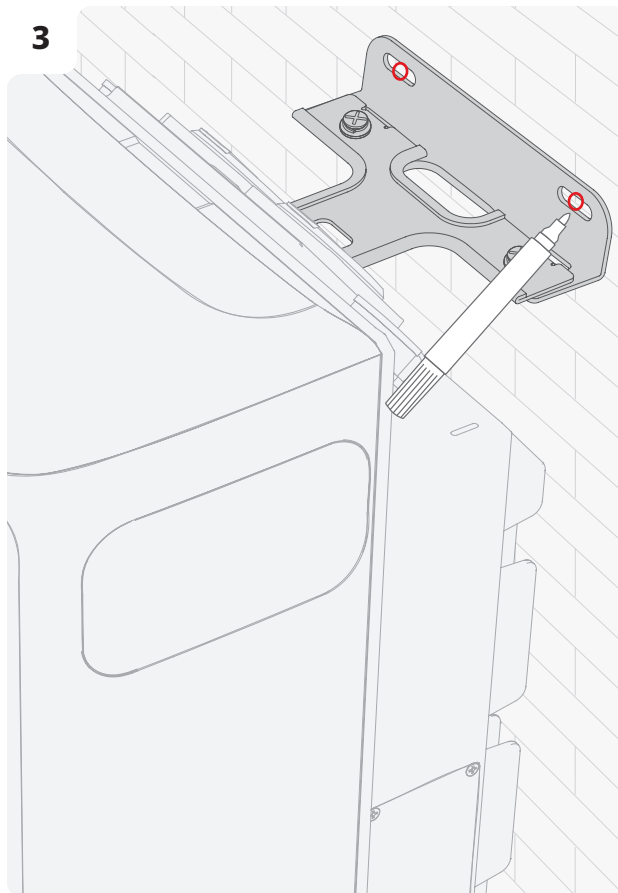
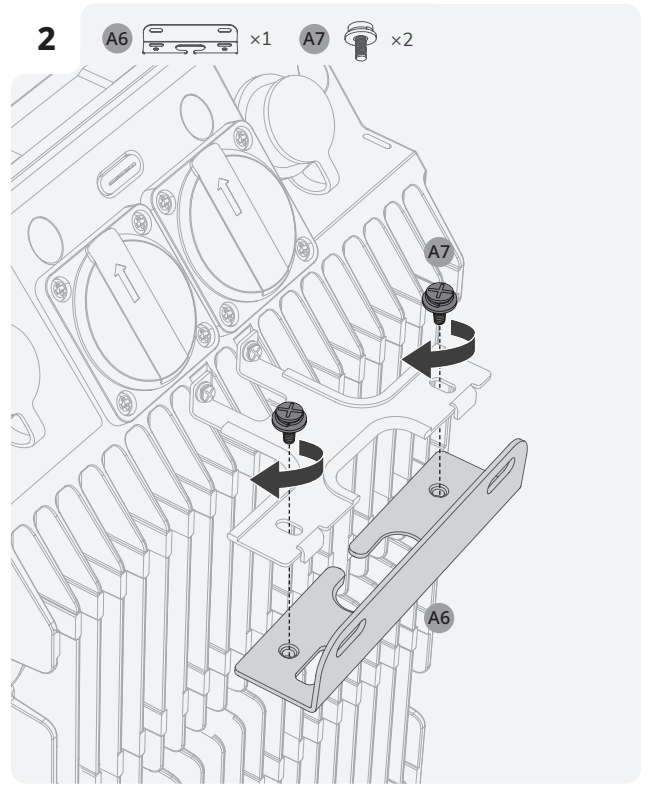
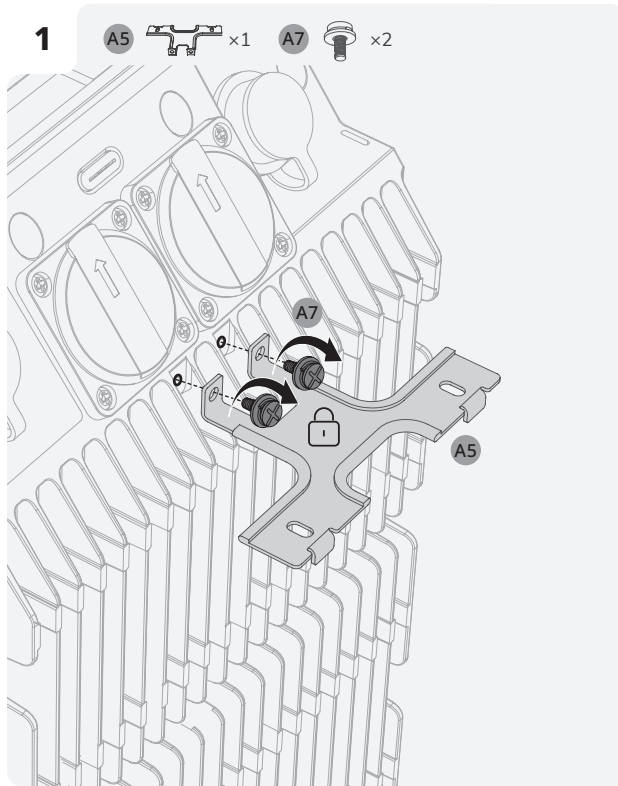


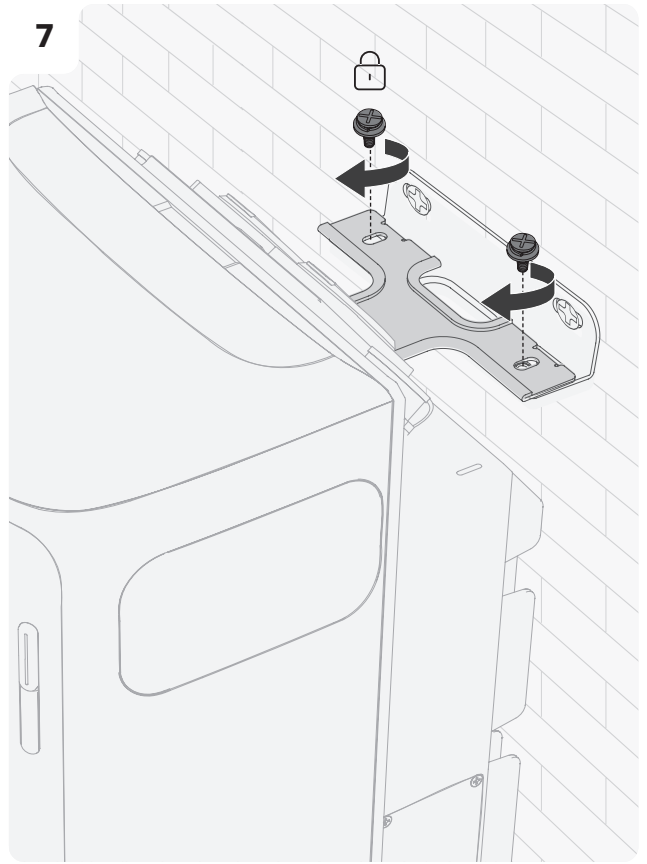
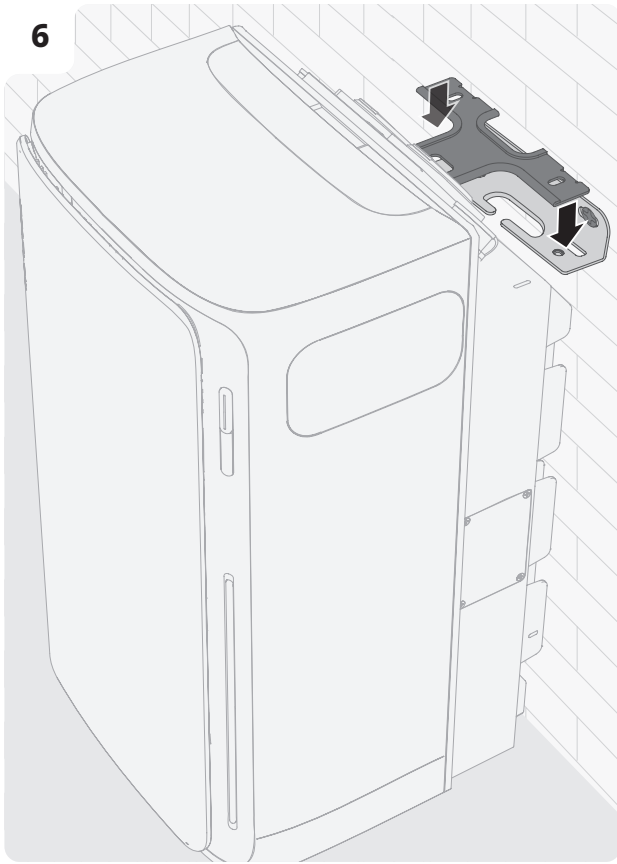
- Make sure to reserve sufficient clearance for proper heat dissipation.



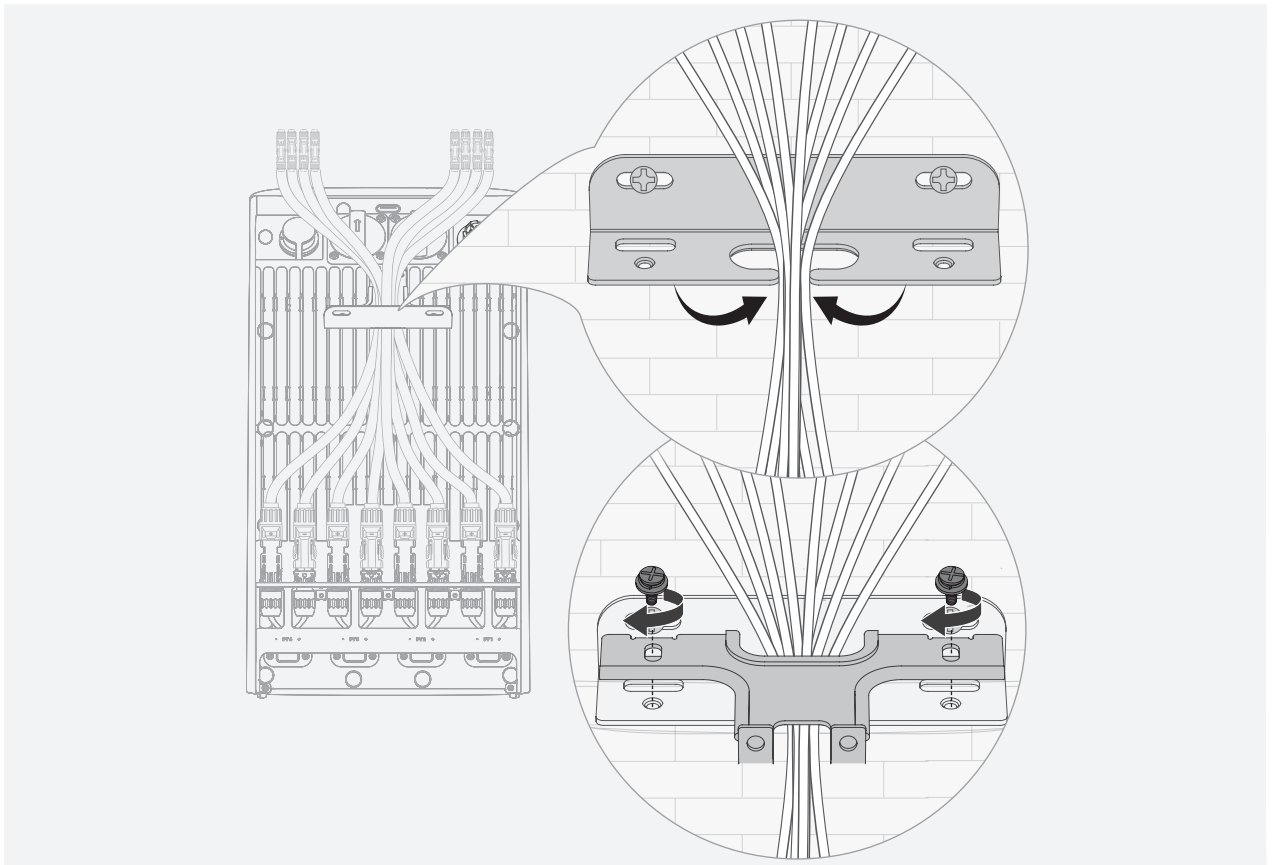
During Installation

I Step 1: Mount & Lock (Optional)





- The mounting and locking brackets can also help arrange the cable routing (maximum: 8 PV cables) for a neater setup.

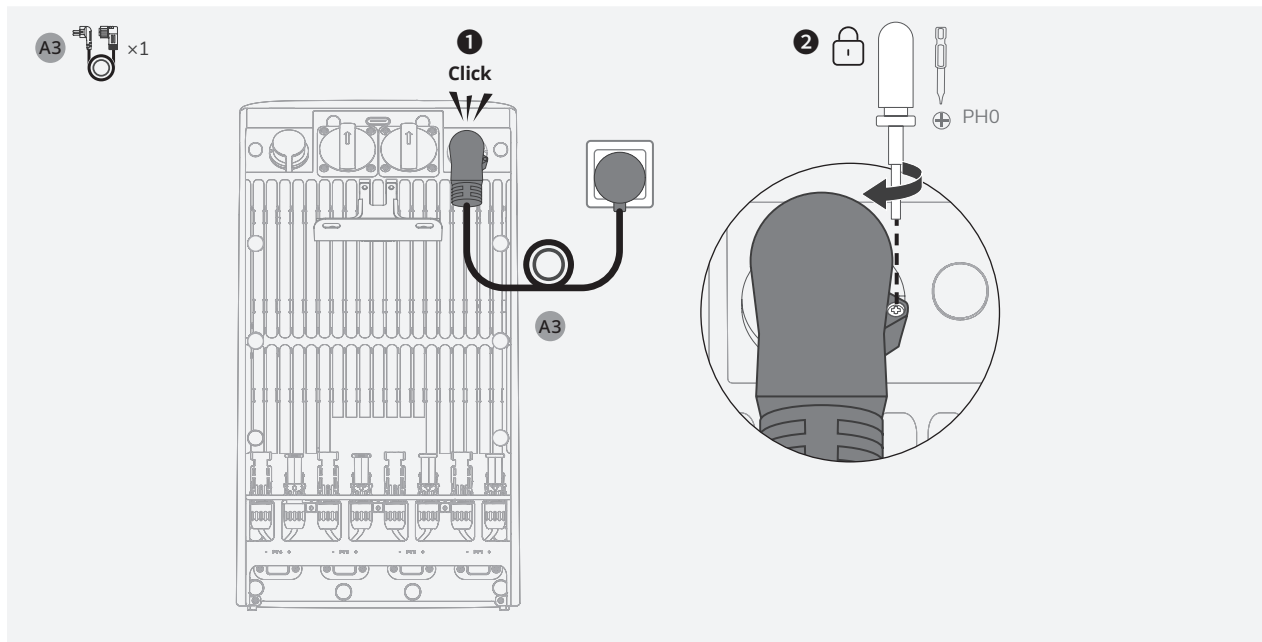


I Step 2: Connect to Grid Power



- The grid connection must be connected to a grounded electrical outlet or grounding busbar. Additionally, grounding the product casing via its dedicated grounding terminal is recommended for enhanced safety.
- Ensure the device is powered off before installation.

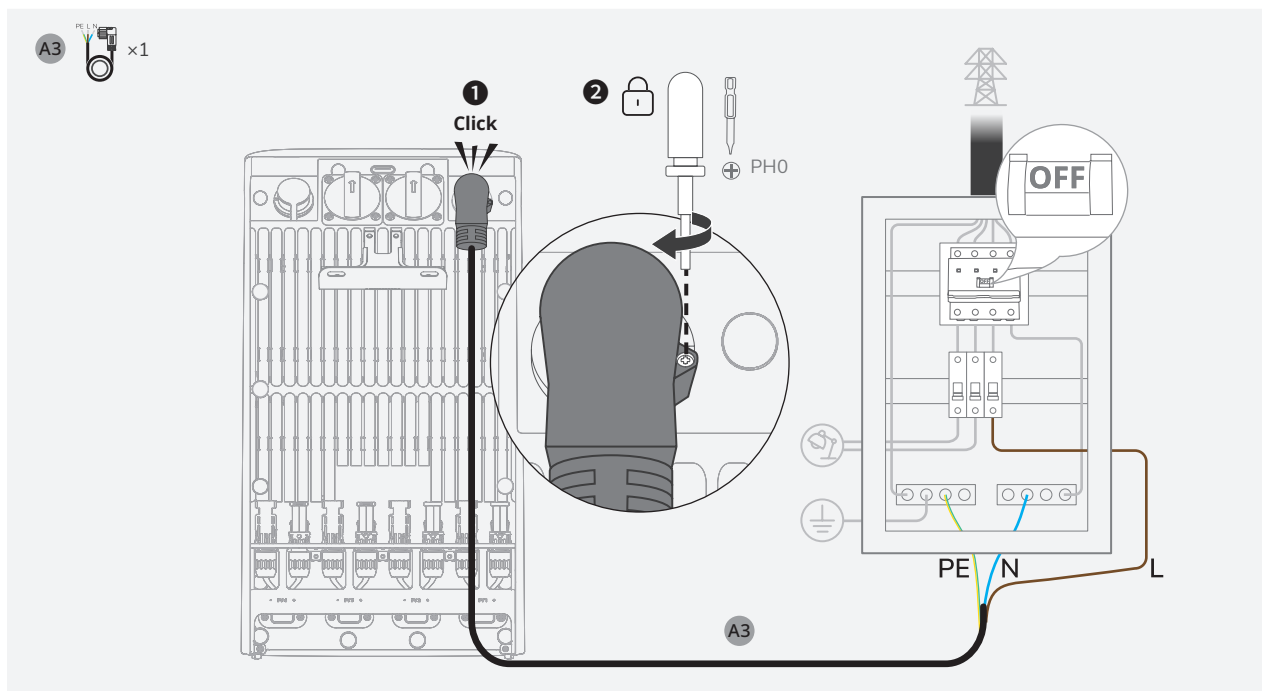
• Method 1: Connect via a Home Outlet



• Method 2: Connect via a Home Circuit Breaker (United Kingdom Only)



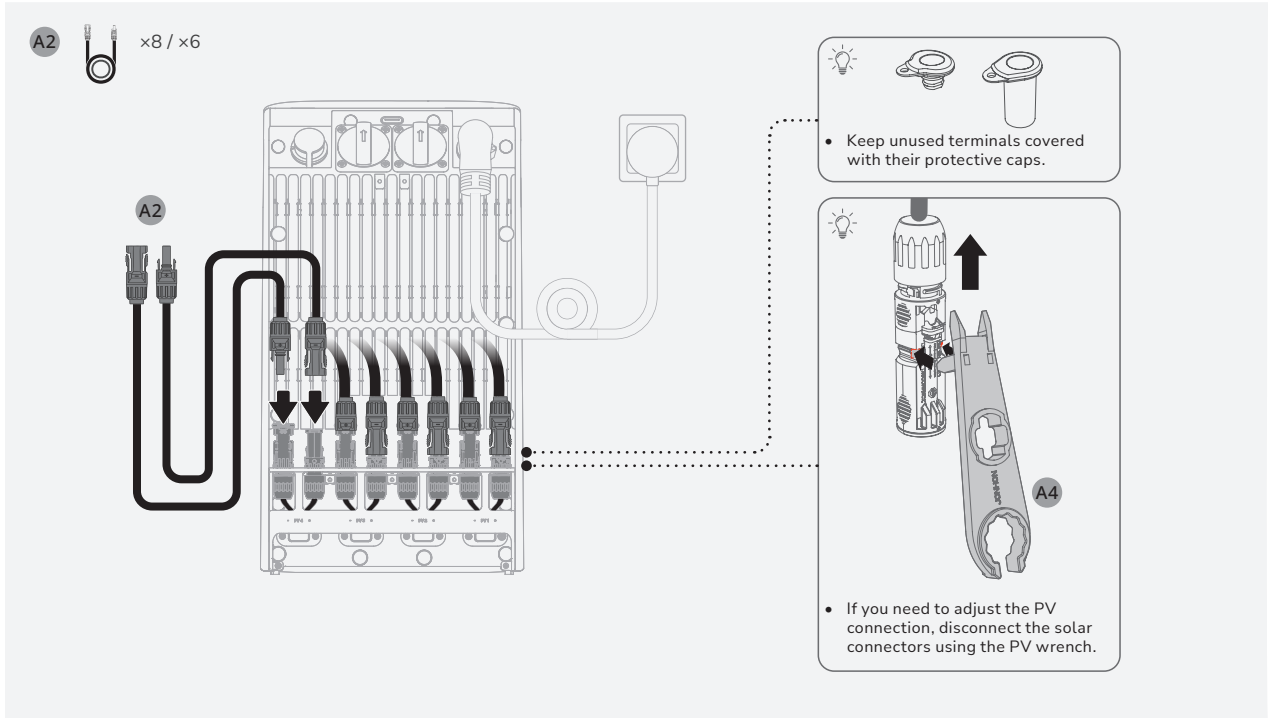
- **Professional Installation Required:** This step must be carried out by a qualified electrician.
- **Power Must Be Off:** Before beginning installation, ensure the power is switched off at the installation site.
- The PE and N wires should be connected separately to the PE-bar and Neutral-bar, and the L wire should be connected to the terminal on the breaker that leads to the load side.



I Step 3: Connect to Solar Panels



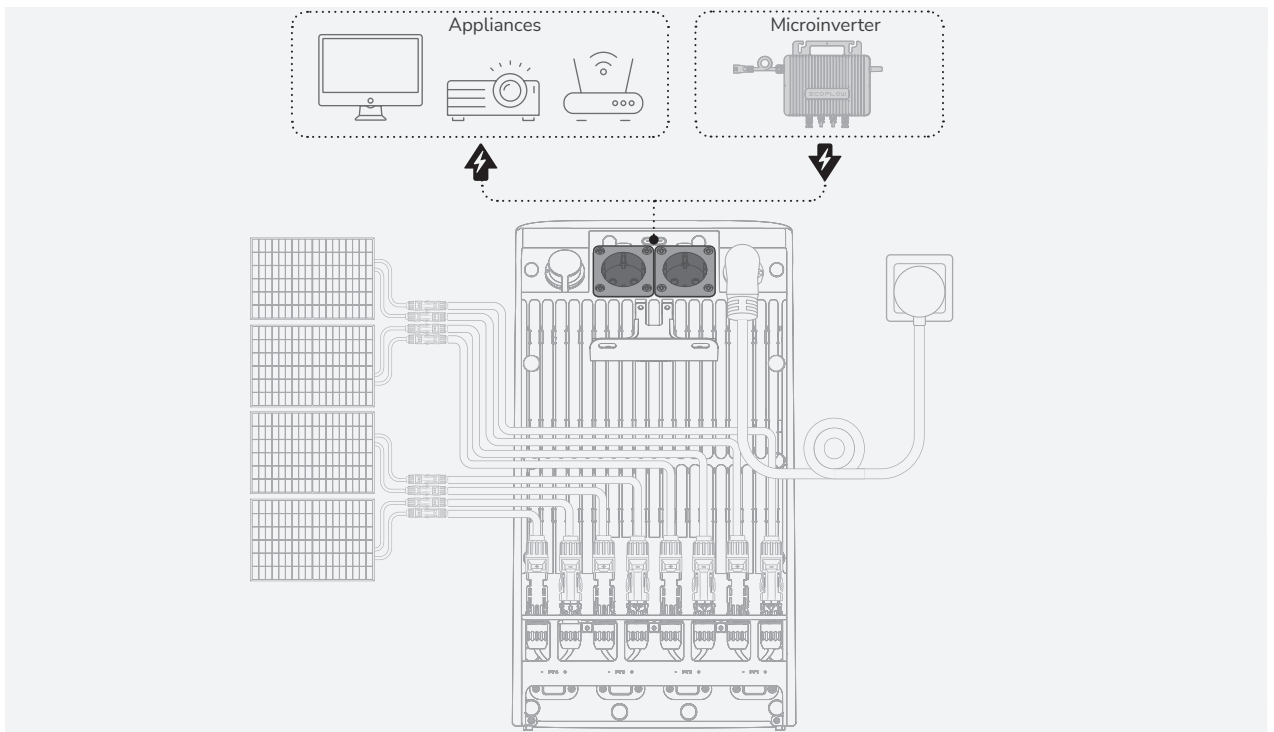
- Never connect the leads of a solar panel to different PV terminals (e.g., negative to PV1- and positive to PV2+) to prevent short circuits.



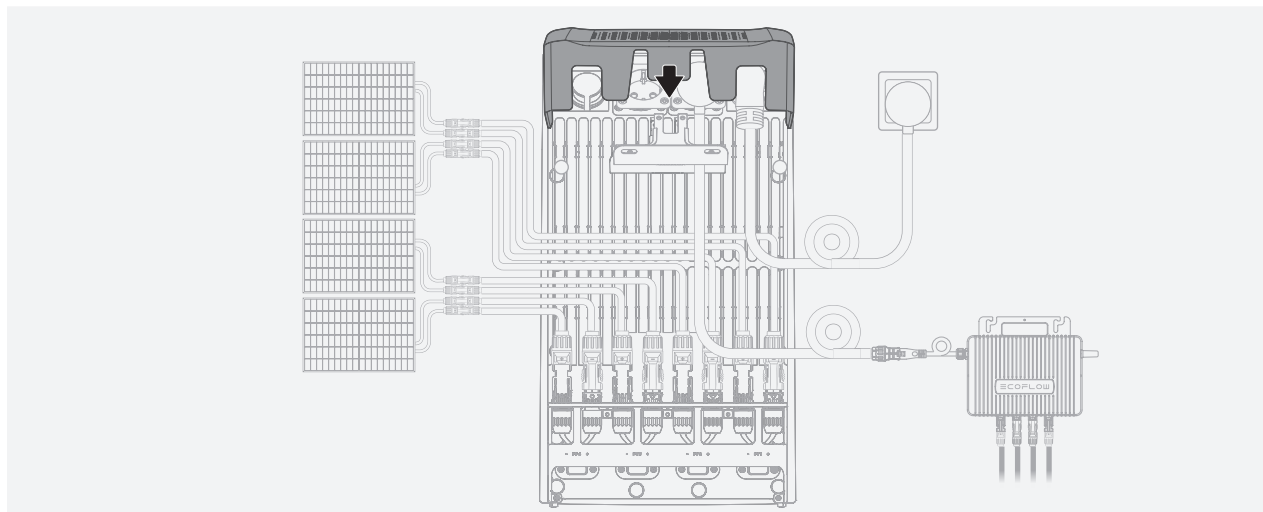
I Step 4: Connect to Load / Microinverter (Optional)



- Connect a microinverter that complies with local regulations to add power input. EcoFlow microinverters are preferred; third-party models may require users to take additional measures.
- The device has an IP65 ingress protection rating. Use of the AC outlet may affect the ingress protection rating. To minimize exposure to water, place the device close to a wall.
- Ensure the AC outlet cover remains in place when the AC outlet is not being used.
- The actual appearance of the AC outlet may vary by sales region and product version.



I Step 5: Reinstall the Protective Cover



Post-Installation

I Power On

Press the Power button once to power on the device.

Tip: If the home circuit breaker is turned off, remember to switch it back on.

I Download EcoFlow App

Scan the QR code or search for the EcoFlow app in your mobile application store to download it. Then, register an account and log in.



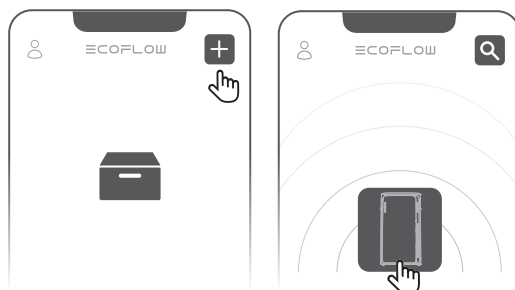
EcoFlow

GET IT ON
Google Play

Download on the
App Store

I Bind the Device and Set Up Internet

Follow the in-app instructions to bind the device and enjoy smart control from your phone.



Explore More

EcoFlow STREAM devices support system cascading to increase total battery capacity.

Further details are available at: www.ecoflow.com.

Number of Units	x1	x2	x3	x4	x5	x6
Expanded Capacity	1.92 kWh	3.84 kWh	5.76 kWh	7.68 kWh	9.6 kWh	11.52 kWh
Terminal Used	Parallel Terminal					
Cable Required	EcoFlow STREAM Parallel Cable					



PAP

Raccolta carta

© 2025 EcoFlow Inc. All rights reserved.